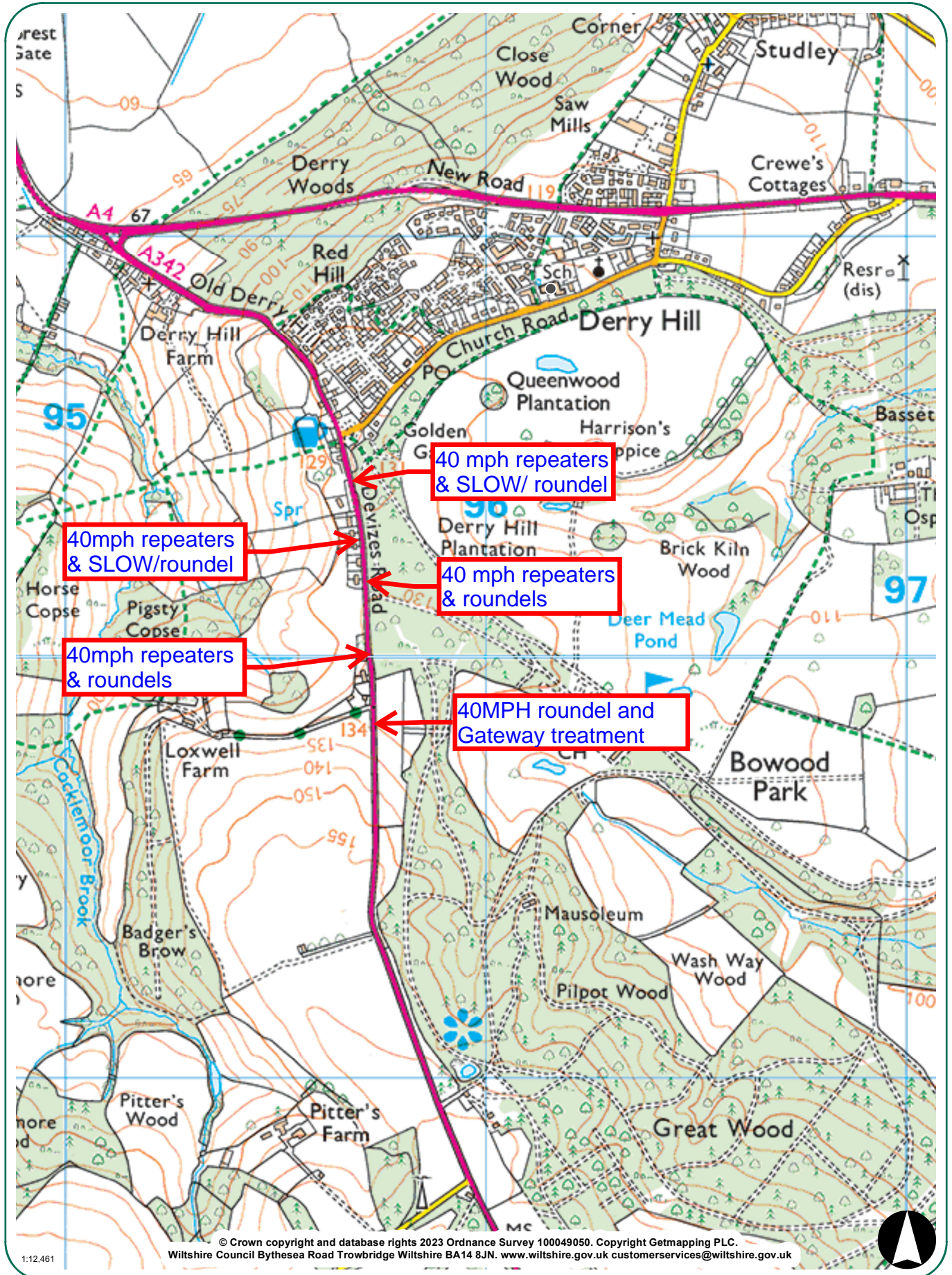
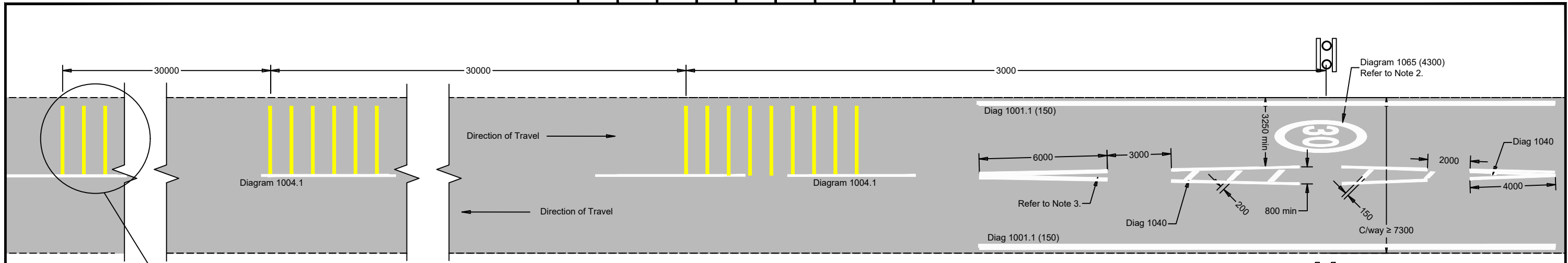
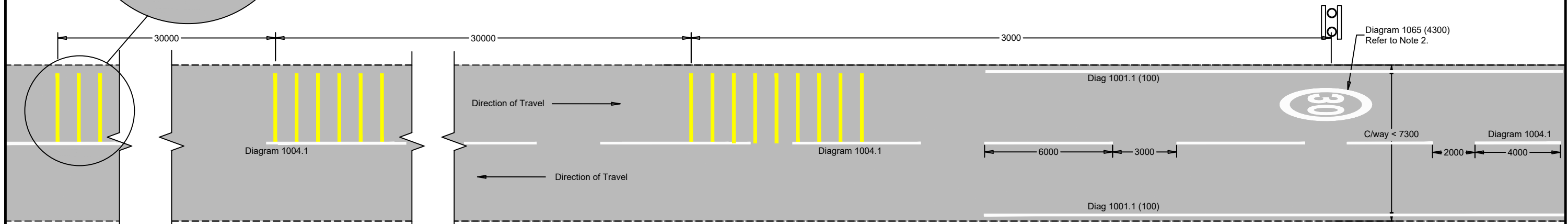
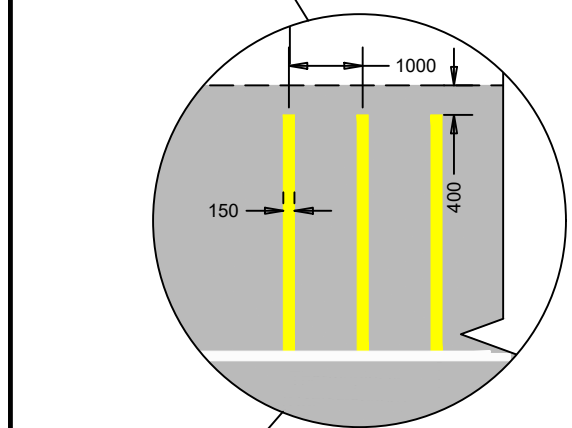


ArcGIS Web Map





GATEWAY TYPE C - ROAD WIDTH ≥ 7.30M



GATEWAY TYPE D - ROAD WIDTH < 7.30M

NOTES

1. 30 / 40 Carriageway roundels to diagram 1065 will typically be 4300mm. On higher speed roads i.e. Dual carriageways a 7500mm roundel should be used.
2. Refer to Chapter 5 of 'The Traffic Signs Manual - Road Markings 2018' Table 2-7 for taper detail.
3. Traffic signs and road markings shall comply with 'The Traffic Signs Regulations and General Directions 2016'.
4. All road markings shall meet the requirements specified in Chapter 5 of the 'The Traffic Signs Manual' Road Markings 2018'.
5. All road markings shall be formed in thermoplastic material complying with BS EN1436: Class A.
6. Existing road markings to be removed to suit proposed layout.
7. Use of this drawing does not absolve the client from his responsibilities under 'The Health & Safety: The Construction (Design & Management) Regulations 2015'

REV				
Rev	Revision details	Chkd	Appd	Date
Drawn: MJR		DRAWING STATUS		
Checked: DMT				
Approved: GTR		ISSUE		
Date: 23/03/19				
File Ref: L:/trafficengineeringteam/				

Client: **Wiltshire Council**
 Highways & Transport
 County Hall,
 Bythesea Road
 Trowbridge
 Wiltshire
 BA14 8JN

Consultant: **ATKINS**
 Atkins Highways & Transportation
 3rd Floor
 County Gate
 County Way
 Trowbridge
 Wiltshire
 BA14 7FJ

Project Name:
 WILTSHIRE COUNCIL - HIGHWAYS & TRANSPORT
 STANDARD HIGHWAY CONSTRUCTION DETAILS

Drawing Title:
 SERIES 1200 TRAFFIC SIGNS & ROAD MARKINGS
 SPEED LIMIT GATEWAY OPTIONS (WITHOUT COLOURED SURFACE)

APPROVED
CONTRACTOR TO ENSURE LATEST DETAILS ARE USED

Original Sheet Size : A3
 Scale : NOT TO SCALE Dimensions : mm

Drawing No. Rev:
 WC-HCD-1200-D004 0

